

EDGE - 11025

EDGE 11025 is a RAIN(UHF) RFID hard tag with a slim structure specially optimized for securing metal assets.

The tag has been specifically designed for applications ranging from RTIs to other industrial metal assets where chances of impacts are higher. It is also tuned for better on-metal functionality as against other types of surfaces.



Applications



Warehouse Management

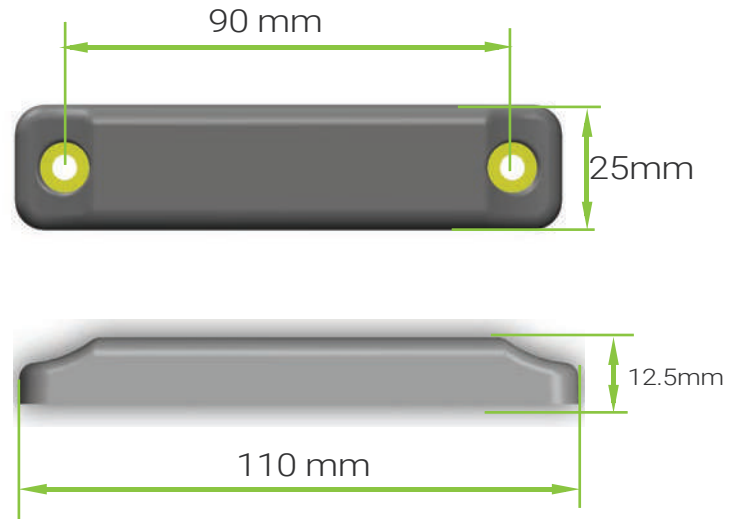


Retail Management



Asset Tracking

Product Drawing:



Ordering Information

Part Number	Item Details
RFAB-090808-ETSI/FCC	On-Metal Tag tag with M781 IC
RFAB-090108-ETSI/FCC	On-Metal Tag tag with MONZA4QT IC



Electrical Specifications

Operational Frequency	FCC: 902-928MHz ETSI: 865- 868 MHz
Interface Protocol	ISO 18000-63 and EPCglobal Gen2v2
Chip Type*	IMPINJ M781
Memory Configuration	EPC Memory – 128 bits USER Memory – 512 bits
Data Retention	50 Years
Write Cycle Endurance	100,000 cycles
Read Range**	Upto 22 meter

Product Characteristics

Tag Size	110 x 25 x 13 mm /4.33 x 0.98 x 0.5 in
Yield	100 %
Material	ABS
Packaging	100 Tags / Packet
Attachment	Screw , Riviting

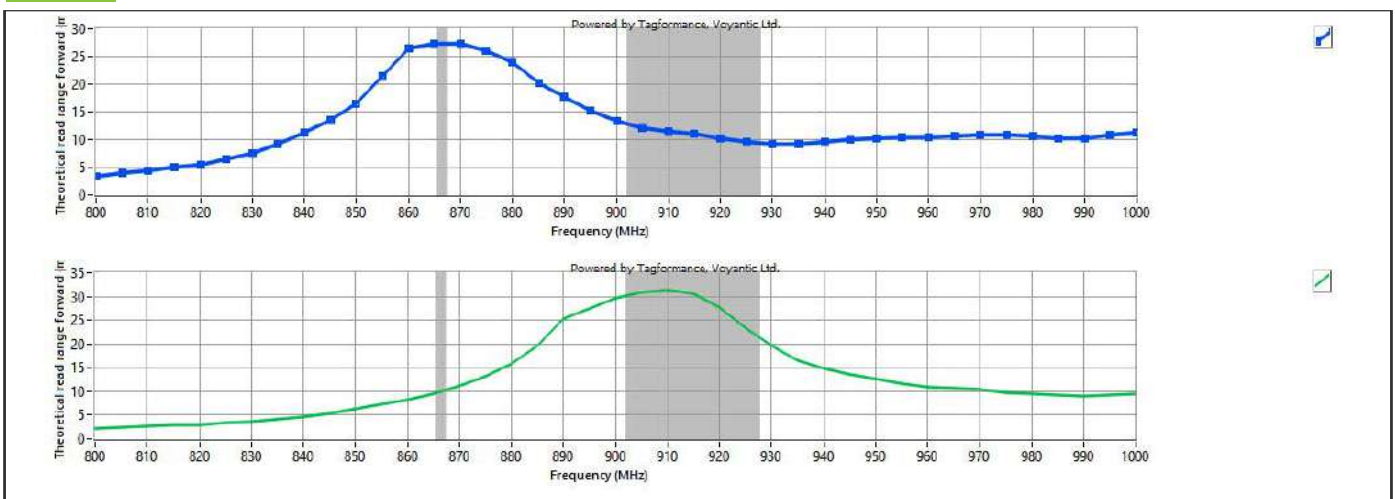
Environmental Specifications

Operating Temperature	-40 to +85 °C
Storage Temperature	+23°C/ 50%RH
Peak Temperature	+80°C/+176°F
IP Rating	IP68
Adhesive Service Temperature	-20°C to +85°C
Recommended Application Temperature	+10°C to +38°C
Chemical Resistance	No Physical or Performance Changes in : - 168h salt water (salinity 10%) - 168h Motor oil exposure - 12h NaOH (10%) exposure - Generally Good against : ethanol(moderate concentrations), consistent grease, Soap water
Expected Lifetime	Years in normal Operating Condition

Personalization

- Customer specific encoding of EPC
- Customised printing of logo, text, barcode etc

READ RANGE GRAPH



Edge 11025 - RF performance(M781)

** The indicated read range values are measured in our laboratory testing environment, where antennas with optimum directivity are used with maximum allowed operating power. Different surface materials and environments may exhibit different results.