

EDGE-8521

EDGE-8521 is the ultimate RFID tag solution for your tracking needs. With its industry-leading performance, durable outdoor resistant encapsulation and wide radiation pattern, you can now easily track and monitor any asset or item - quickly and reliably! Get the EDGE-8521 to get the advantage of superior performance, flexibility & reliability.



Ordering Information

Part Number	IC Type	Memory Configuration
RFAB- 270808 - ETSI/FCC	Impinj Monza M781	EPC Memory - 128 bits

Applications



Electrical Specifications

Operational Frequency	FCC: 902-928MHz ETSI: 865- 868 MHz
Interface Protocol	ISO 18000-63 and EPCglobal Gen2v2
Chip Type*	IMPINJ M781
Memory Configuration	EPC Memory – 128 bits USER Memory – 512 bits
Date Retention	50 Years
Write Cycle Endurance	100,000 cycles
Read Range	upto 13 M

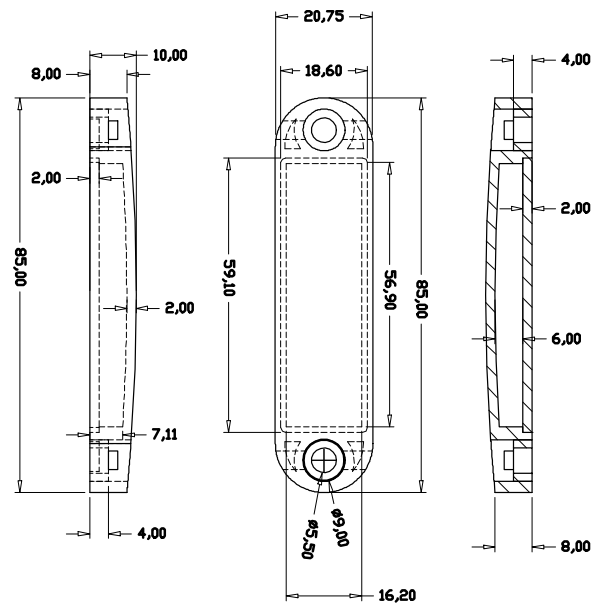
Products Characteristics

Product Size	85x21x10mm +- 0.5 mm/1.49X 0.51 x 0.17 in
Final Inspection	100 % Tested
Material	ABS
Packaging	100 Tags / Packet
Attachment	Adhesive

Environmental Specifications

Operating Temperature	-40 to +85 °C
Storage Temperature	-40 to +85 °C
IP Rating	IP67

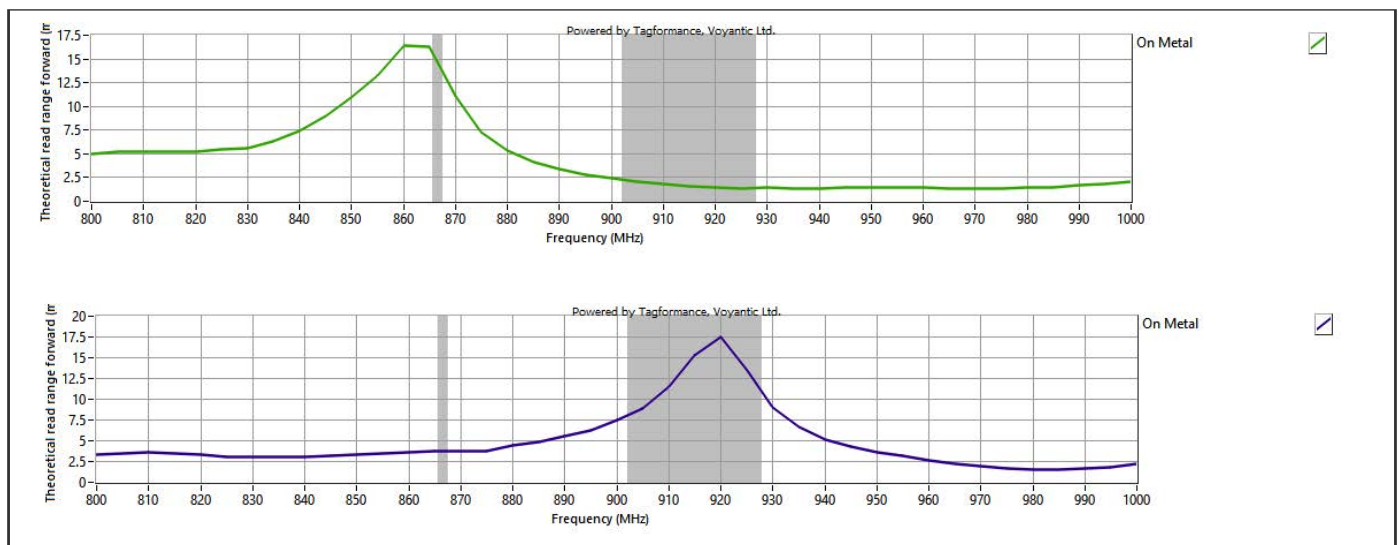
Drawing of Product



Personalization

- Customer specific encoding of EPC
- Customised printing of logo, text, barcode etc

READ RANGE GRAPH



Edge 8521 - RF performance(M781)

** The indicated read range values are measured in our laboratory testing environment, where antennas with optimum directivity are used with maximum allowed operating power. Different surface materials and environments may exhibit different results.



www.perfectid.com



Sales@perfectid.com