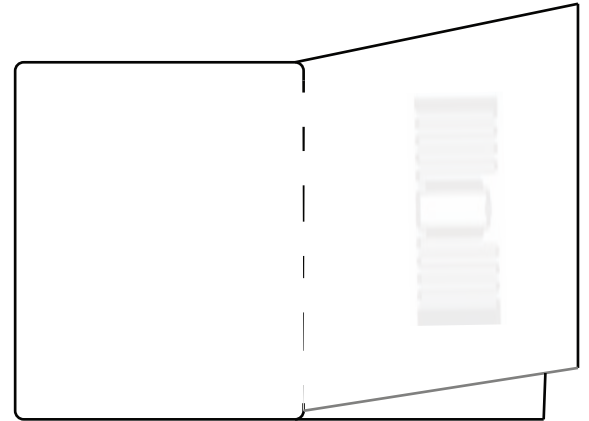


PID-Flag Tag

The PID- Flag Tag is a wide band EPC CLASS 1 GEN 2 multipurpose tags, which fulfils it's needed in metal, wooden & Glass applications like metal tubes, wooden Pallet, glass Tubes, etc.

PID-Flag tag has an innovative compact form factor with a total size of 80 x 50 mm when used as a standard flat paper tag.



Its special feature is that a flag can be created at the end of tag with a final paper tag size of 40 x 50 mm after folding.

Applications



Ordering Information

Part Number	Item Details
RFST-170302-ETSI/FCC	Hang Tag with R6P IC



Electrical Specifications

Operational Frequency	FCC: 902-928MHz ETSI: 865- 868 MHz
Interface Protocol	ISO 18000-63 and EPCglobal Gen2v2
Chip Type*	IMPINJ MONZA R6P
Memory Configuration	EPC Memory – 96 bits /128 bits USER Memory – 64 bits / 32 bits
Date Retention	50 Years
Write Cycle Endurance	100,000 cycles
Read Range**	Upto 6 meter

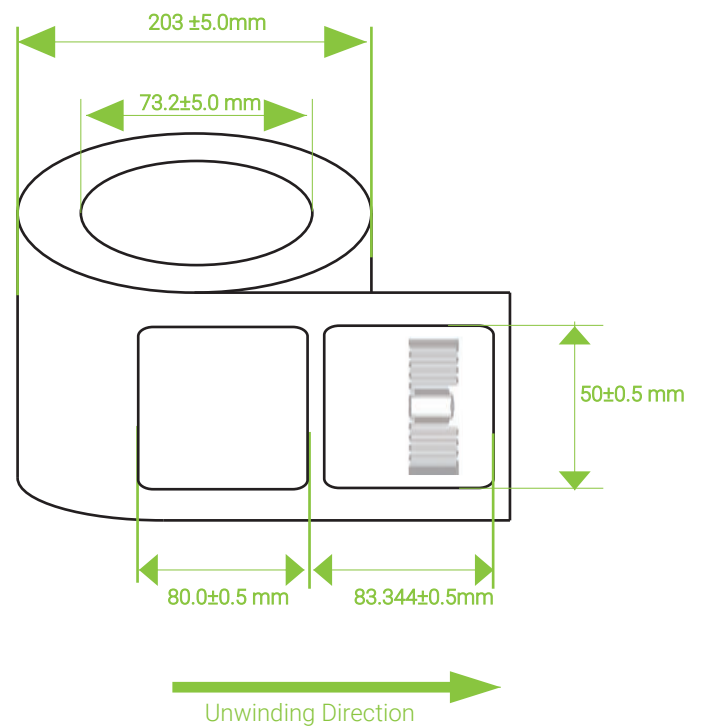
Product Characteristics

Die Cut Size	80 x 50 mm / 3.14 x 1.96 in
Antenna Size	42 x 17 mm / 1.65 x 0.66 in
Material	PET/Aluminum Foil
Packaging	Reel core inner dimension: 76.2mm/ 3", 1500 pcs/roll
Yield	100 %
Attachment	Adhesive

Environmental Specifications

Operating Temperature	-40 to +85 °C
Storage Temperature	-40 to +85 °C
IP Rating	IP67

Product Drawing:

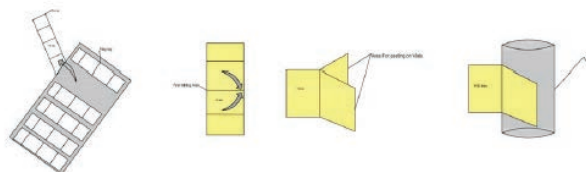


Personalization

- Customer specific encoding of EPC
- Customised printing of logo, text, barcode etc

Folding Instruction

1. Peel off PID -MINI FLAG TAG from Substrate material, delivered in roll format.
2. Fold the white rectangle part along the perforation line to cover the transponder.
3. Apply the tag with the visible transponder area onto the objects and allow the folded flag to stick out.



** The indicated read range values are measured in our laboratory testing environment, where antennas with optimum directivity are used with maximum allowed operating power. Different surface materials and environments may exhibit different results.