

PID-Slimline

PID-Slimline wet inlay performs well on various non-metallic objects, including plastic or corrugated cardboard cases, glass surfaces, solar panels, etc. making it ideal for deployment across various industrial applications.

Applications



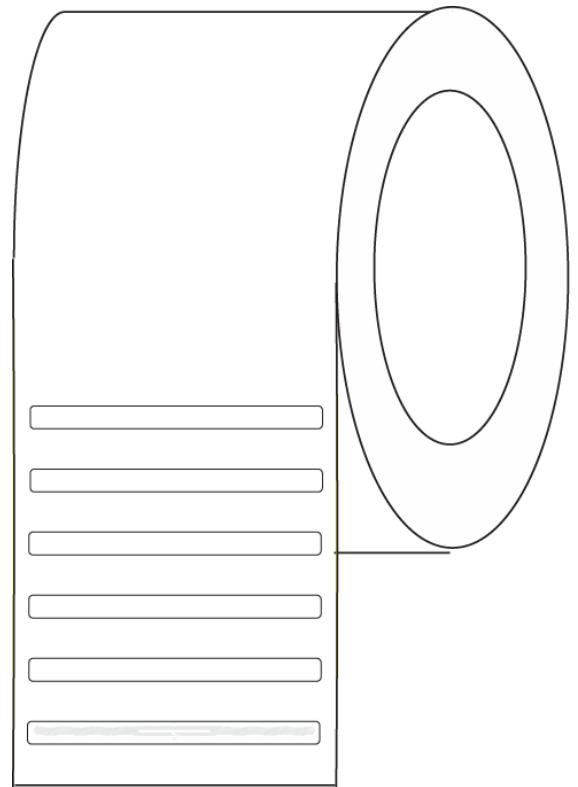
Asset Management



Retail Management



Warehouse Management



Ordering Information:

Part Number	IC Type	Memory Configuration
RFL-250405-ETSI/FCC	Higgs9	EPC Memory - 96/496 bits User Memory- upto 688bits

For other versions, additional information, and technical support, contact Perfect ID..

Electrical Specifications

Operational Frequency	FCC: 902-928MHz ETSI: 865- 868 MHz
Interface Protocol	ISO 18000-63 and EPCglobal Gen2v2
Chip Type*	Higgs9
Memory Configuration	EPC Memory - 96/496 bits User Memory- upto 688bits
Data Retention	50 Years
Write Cycle Endurance	100,000 cycles
Read Range**	upto15 Meter

Product characteristics

Die Cut Size	102.0X 8.0 mm / 4.01 X 0.31 in
Antenna Size	94.0 X 3.0 mm / 3.70 X 0.12 in
Material	PET / aluminium
Packaging	Reel core inner dimension: 76.2mm/3" , 10000pcs/roll
Yield	100 %
Attachment	Adhesive

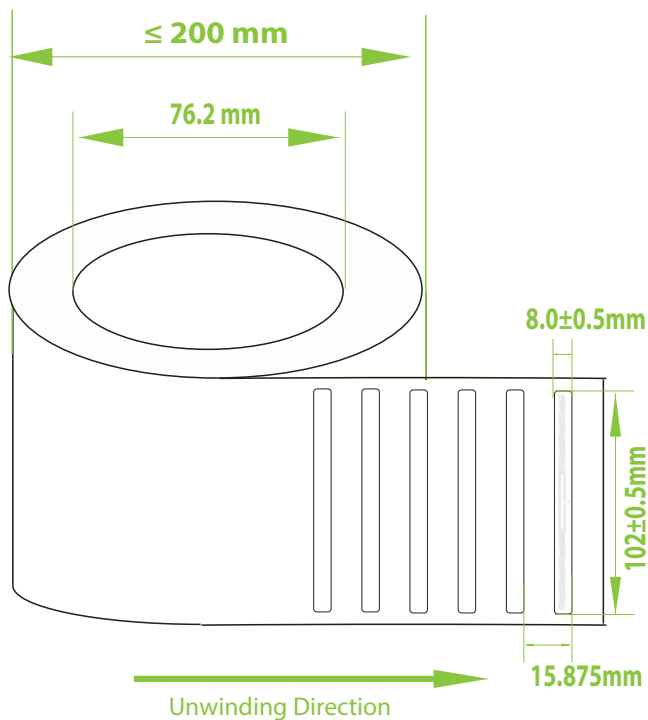
Environmental Specifications

Operating Temperature	-40 to +85 °C
Storage Temperature	-40 to +85 °C
IP Rating	IP67

Personalization

- Customer specific encoding of EPC .
- Customised printing of logo, text, barcode ,etc.

Product Drawing



** The indicated read range values were measured in our laboratory testing environment, where antennas with optimum directivity had been used with a maximum allowed operating power. Different surface materials and environments may exhibit different results.