

Perfect id

Perfect- Wave UHF RFID Antenna

Perfect Wave antenna is a high performance Circular polarised antenna with 9dbi of gain, Packed in a compact low profile polycarbonate covering with plenum rating and fire resistant properties, The antenna is designed aesthetically for industrial And commercial purpose usage, It can withstand under critical to harsh environmental conditions with an IP rating 67.

- Upto 9m/ 29.5 ft Read range
- Just 20mm / 0.8 in. thick High performance & rugged design.
- IP67 rating for permanent outdoor use and industrial applications



Applications



Asset Tracking



Retail Applications



Warehouse Management

Order Information

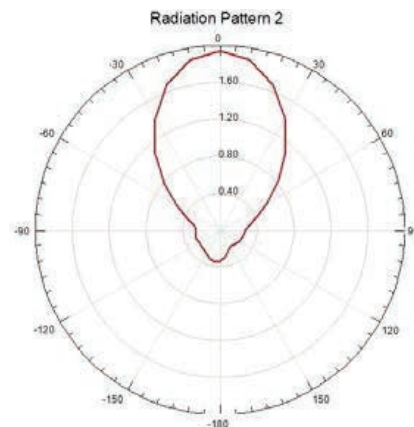
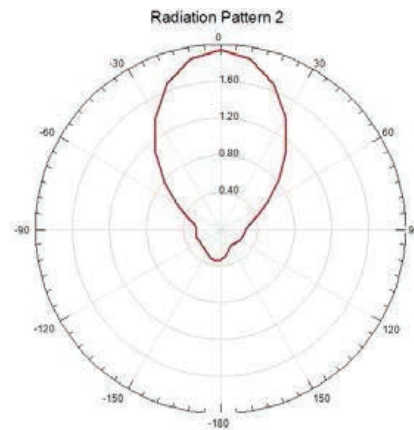
Model/ Part Number	Mounting Option
PerfectWave - 101 FLUSH Mount/ PW101F	Flush/Flat
PerfectWave - 102 VESA Mount/ PW102V	Stud100mm VESA
Perfect Mounting kit vesa/PW102K	VESA mount



Electrical/ RF Characteristics

Operational Frequency	FCC: 902-928MHz ETSI: 865- 868 MHz
Polarization	CP (Circular Polarised)
Gain	9dBic
VSWR	1.3 Typical
Front to Back ratio	20 dB
Beam width at 3db	60 degrees
Max. Power Input	3 W
Read Range	9 M /29.5 ft

Radiation Pattern :

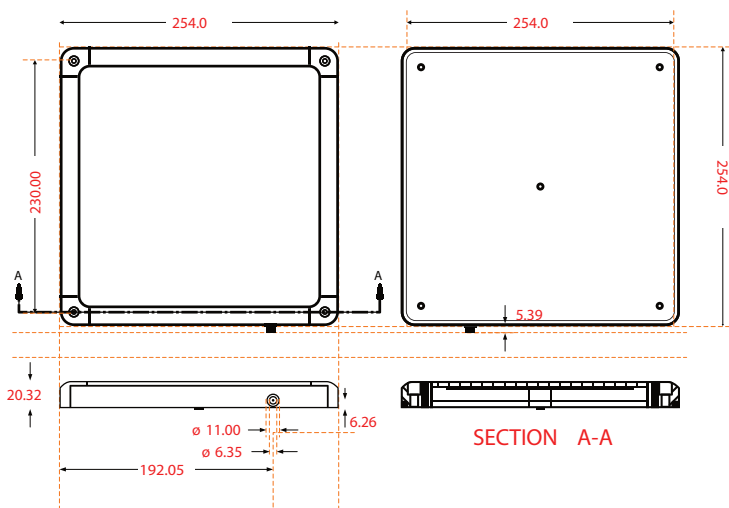


Physical/Environmental Specifications

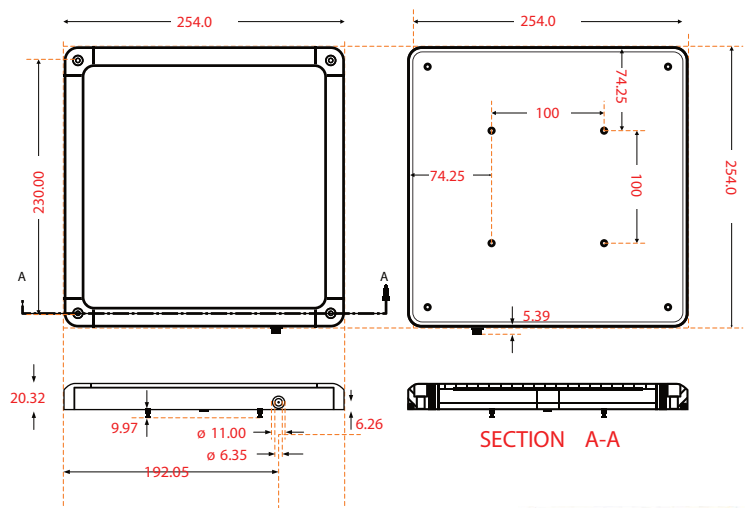
Dimensions(L X W X D)	254 x 254 x 20.32 mm /10 x 10 x 0.8 in
Operating and Storage Temperature	(-25°C to 70°C) / (-13°F to 158°F)
Connector Type	SMA Female Type connector

Physical Mounting Information

PerfectWave-101 FLUSH Mount/ PW101F



PerfectWave-102 VESA Mount/ PW102V



The VESA mount version has four M4 studs 100mm spaced apart. It can be mounted on a standard 100mm VESA mount bracket. The mounting nuts are provided with the antenna.



www.perfectid.com



Sales@perfectid.com

Perfect id
a Syрма SGS company