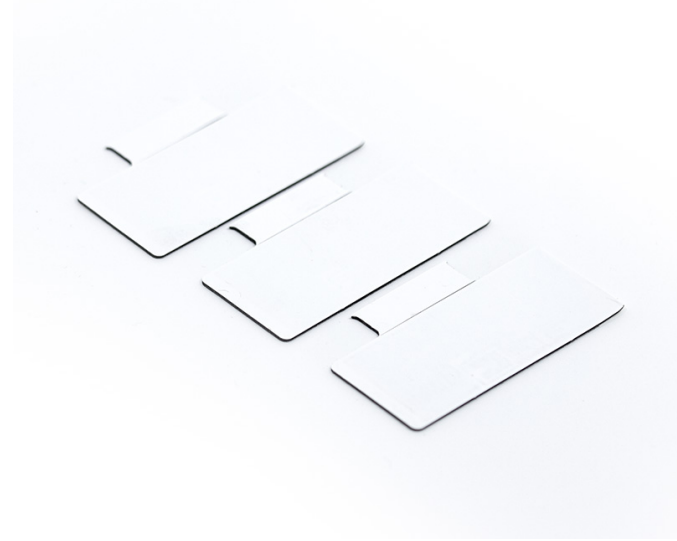


## UNI-6025

UNI6025 tag is a flexible label that can be stuck on metallic assets, especially for irregular and uneven surfaces; it has good performance on the metal surface and can be printed and encoded by a Industrial printer.

They offer an extended reading range, making them competent for disparate application areas.



## Applications



Asset Management



Retail Management



Warehouse Management

### Ordering Information:

Part Number	IC Type	Memory Configuration	Face Material
RFMO-230209-ETSI/FCC	Impinj Monza M730	EPC Memory - 128 bits	Polyester
RFLMO-230509-ETSI/FCC	NXP UCODE9	EPC Memory - 96 bits	Polyester

# For other versions, additional information, and technical support, contact Perfect ID..

## Electrical Specifications

<b>Operational Frequency</b>	FCC: 902-928MHz ETSI: 865- 868 MHz
<b>Interface Protocol</b>	ISO 18000-63 and EPCglobal Gen2v2
<b>Chip Type*</b>	Impinj Monza M730
<b>Memory Configuration</b>	EPC Memory - 128 bits
<b>Data Retention</b>	50 Years
<b>Write Cycle Endurance</b>	100,000 cycles
<b>Read Range**</b>	upto 8 Meter

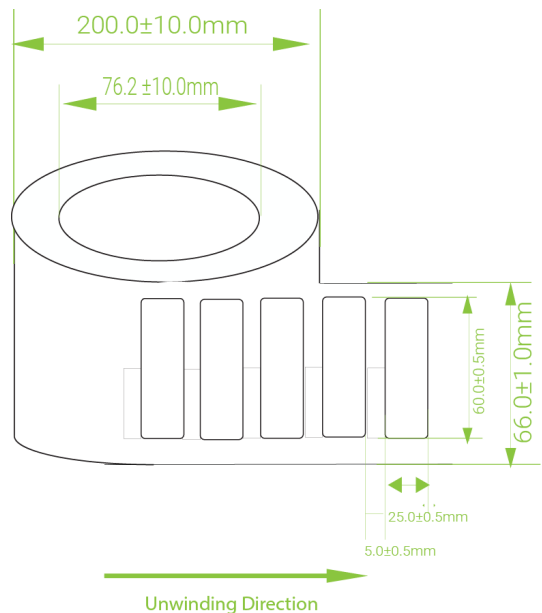
## Product characteristics

<b>Die Cut Size</b>	60.0 X 25.0 X 1.0 mm / 2.75 X 1.18 X 0.03 in
<b>Yield</b>	100 %
<b>Face Material</b>	Synthetic Polyester
<b>Packaging</b>	Reel core inner dimension: 76.2mm/3" , 500pcs/roll
<b>Attachment</b>	Adhesive

## Environmental Specifications

<b>Operating Temperature</b>	-30 to +80 °C
<b>Storage Temperature</b>	-30 to +80 °C
<b>IP Rating</b>	IP 68 , test for 5 hr at 1m deep water

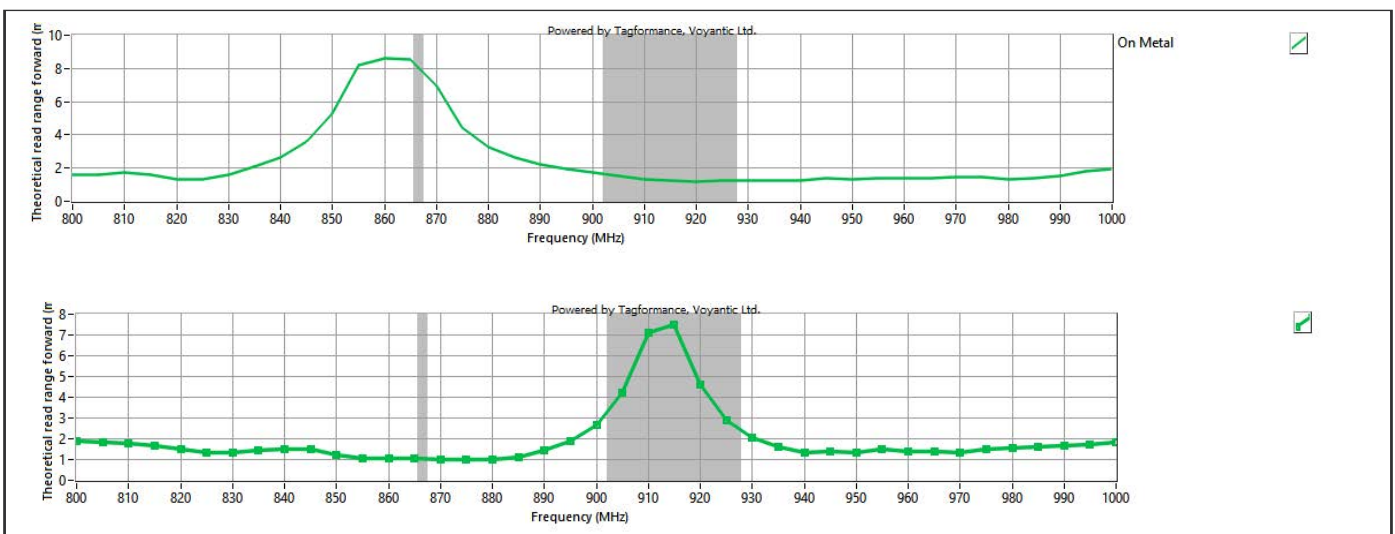
## Product Drawing



## Personalization

- Customer specific encoding of EPC .
- Customised printing of logo, text, barcode ,etc.

## READ RANGE GRAPH



UNI 6025 - RF performance(M730)

\*\* The indicated read range values are measured in our laboratory testing environment, where antennas with optimum directivity are used with maximum allowed operating power. Different surface materials and environments may exhibit different results.